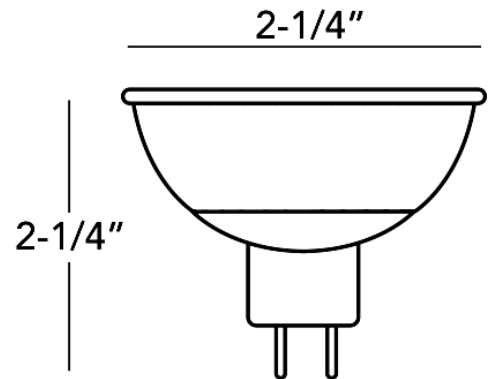




MR16-500L-C90-30K-D
MR16-500L-C90-40K-D
MR16-500L-C90-50K-D

DIMENSIONS:



LED MR16 LAMPS

Ideal for restaurants, retail stores, showrooms and residential applications. Especially suited for areas where accessing the fixture is costly

ELECTRICAL SPECIFICATIONS:

- Input Wattage: 7W
- Input Voltage: 12AC/DC
- Efficacy: 71LM/W & 80LM/W

HOUSING SPECIFICATIONS:

- Compact design
- Lifespan: 25,000hrs.

CERTIFICATIONS: UL, ETL



MODEL	WATTS	VOLTAGE	LUMENS	COLOR TEMP
MR16-500L-C90-30K-D	7W	12AC/DC	500LM	3000K
MR16-500L-C90-40K-D	7W	12AC/DC	560LM	4000K
MR16-500L-C90-50K-D	7W	12AC/DC	560LM	5000K

LIGHTING SPECIFICATIONS:

- Dimmable: Dimmable with magnetic ballast only
- Operates on both electronic or magnetic transformer
- Total lumens: 500LM/560LM
- Emits no UV/IR light
- Base: GU5.3
- Color temperature: 3000K/4000K/5000K
- Color rendering index: 90
- Beam angle: 40°

WARRANTY: 5 years

